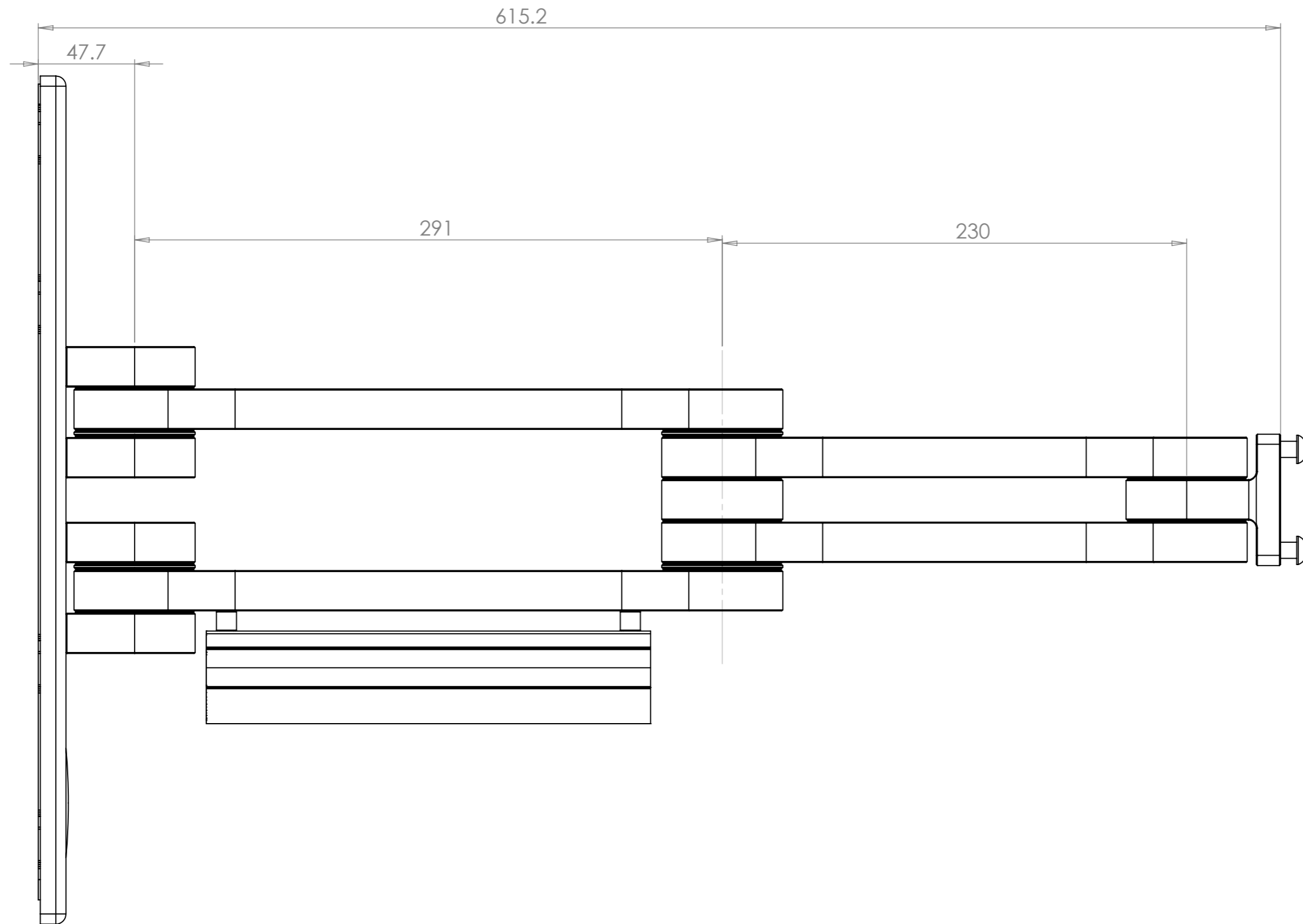


REAR

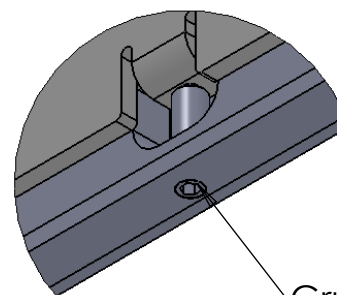
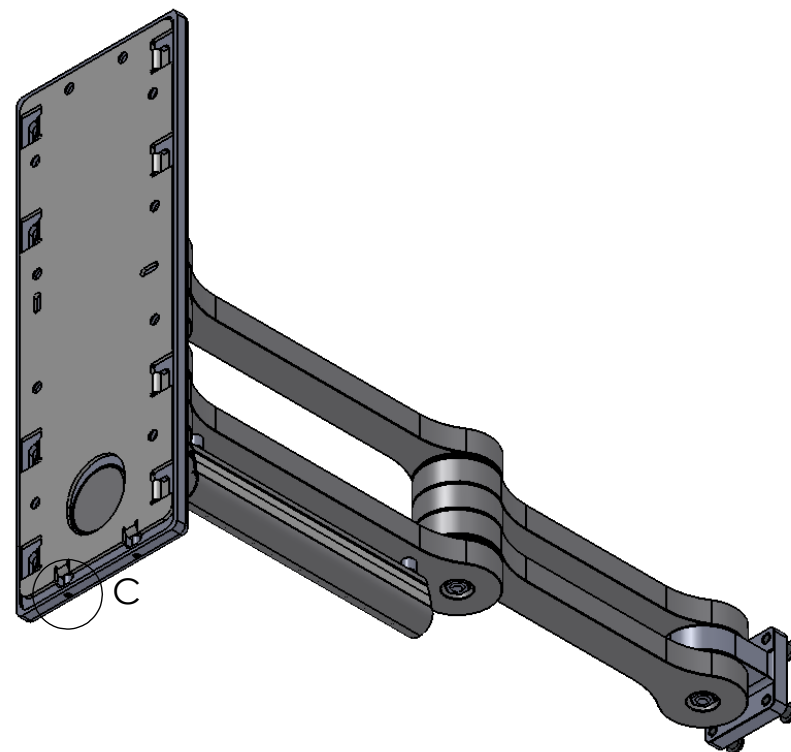
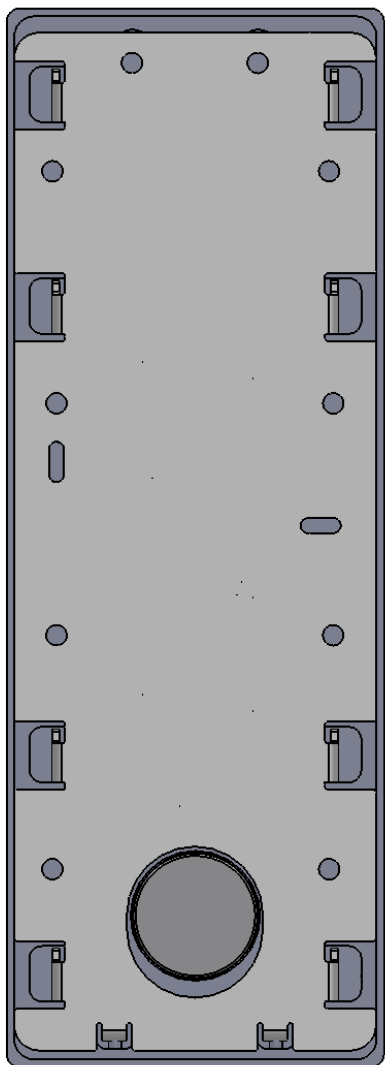
Middle

Front



M12 With hidden wall plate

Place the bracket over the wall plate and pull it down.



Grub screws need to be screwed in tight to lock the wall plate into position.

DETAIL C
SCALE 1 : 1